



ECOBULK HX
for automotive applications



The guarantee for excellent coating results:

The new **ECOBULK HX.** Discover complete protection for your filling products by eliminating all contamination risks – from filling to emptying and processing. At the same time you cut costs by up to 50 % within the supply chain in comparison with alternative packaging.



The new ECOBULK HX – perfect for high-tech specifications in the process chain.

Modern coatings are designed to withstand the toughest wear and tear, and at the same time look great and offer a brilliant range of colours. However, as filling products in the supply chain they are exceptionally sensitive. Packaging plays a key role in preventing craters and inclusions caused by particles in the final product.



The new ECOBULK HX was developed especially for highly viscous products such as varnishes and coatings.

The 1,000-litre IBC unites a compact size with outstanding technical characteristics for fast, simple filling and emptying. Even with a pump, residual emptying is close to 100 %. The IBC is also designed to ensure optimum stirring processes, giving you perfect results and allowing even low filling levels to be completely stirred.

Our packaging system guarantees the highest technical cleanliness. It completely eliminates the increased risk of contamination in conventional multiple-use stainless steel systems and the time-consuming cleaning processes this necessitates. **With the new CLEANCERT packaging standard** additional protection and safety for the quality of your filling products already start with the manufacturing process.



with bucket agitator

The optional **SCHÜTZ IMPELLER** provides maximum cost-effectiveness and process safety: **fast and easy stirring without opening the IBC!**

Achieve “zero crater at low cost”.

With the **ECOBULK HX** you can save time and costs compared with multiple-use stainless steel containers. Additionally, you avoid the considerable costs associated with coating faults and inclusions that can result from the contamination of your filling products.

Our packaging system offers:

The highest level of packaging cleanliness

With the SCHÜTZ ECOBULK you always get a brand new inner bottle. There is no inherent risk of contamination with the remains of cleaning products or product residues from previous cycles.

No administration required

Focus on your core business. You do not need to manage a container pool, track container locations or repair packaging.

Lower investment

The cost of acquisition and capital commitment for the ECOBULK HX is a fraction of that required for stainless steel systems.





SCHÜTZ TICKET SERVICE

Collection and reconditioning

The SCHÜTZ TICKET SERVICE handles the fast collection and environmentally friendly reconditioning of empty containers.

Greater transport and storage efficiency

Significantly lower storage and logistics costs thanks to lower tare weight and space-saving design (e.g., a stack of three is only 4.05 m high). Even when filled the IBCs can be transported in stacks of two.

Optimum process support

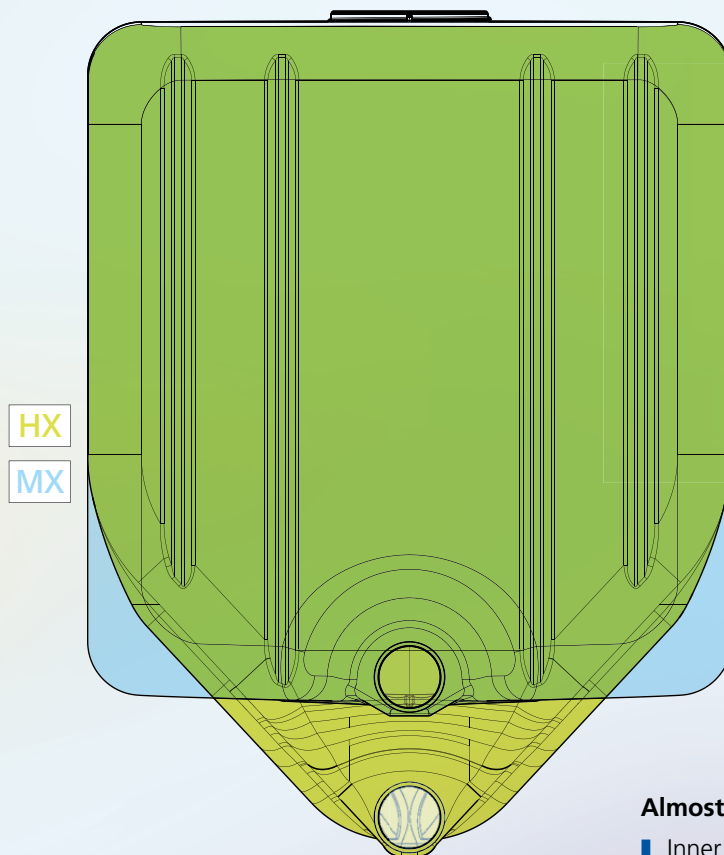
The geometry of the ECOBULK HX is specially designed to provide excellent stirring results from a residual volume of 50 litres and faster emptying, requiring up to 75 % less time depending on the filling product.

No overheads

There are no tracking, collection, cleaning, repair or maintenance costs.

Perfectly configured for "optimum flow".

Selecting the right packaging is not only a question of the properties of the filling product. As a rule, a packaged product will pass through many distinct process stages between filling and final use. From automatic filling to high-rack storage, transport in ISO containers, the use of agitators or discharge in ex-zones – the **ECOBULK HX** is designed to optimally comply with a wide range of different process requirements.



ECOBULK HX

Almost 100% residual emptying

- Inner bottle has a funnel-shaped bottom
- Low-lying discharge valve DN 80
- Residual emptying less than 0.3 litres, even for highly viscous products
- **When used with a pump:** the pump will stop due to air intake only when the container is completely empty



Filling opening

- Large DN 225 version
- Suitable for manual or automatic filling
- External stirrers can be easily inserted

Optional additional S56x4 filling opening

- Optimally designed for below surface filling
- Ideal in combination with the optional IMPELLER system
- The large screw cap can remain closed throughout the entire process

Optimised for used with agitators

- Excellent stirring results even with residual volumes as low as 50 litres
- **Tests prove:** faster and more efficient stirring processes thanks to the special geometry of the inner bottle

Approvals

- UN 1.9 hazardous goods approval for all standard liquids
- With an optional 3-layer inner bottle suitable for use in ex-zones 1+2

Stability

- Robust steel grid made of galvanised steel with 4-point welding of the vertical and horizontal tubes
- Closed, stable supporting cushion provides optimum support for the inner bottle

Product purity

- Plastic skid pallet also available for ex-zones
- CLEANCERT standard for the highest technical cleanliness and safety
- **Optional:** supplied with the disposable SCHÜTZ IMPELLER

SCHÜTZ CLEANCERT – for the highest technical cleanliness and safety.

Our aim is to offer the optimum packing solution for every filling product. Technically demanding sectors such as the automotive industry set very high purity standards for their packaging. SCHÜTZ's CLEANCERT packaging complies with the very highest cleanliness and safety standards for material, product and production process.



STANDARD

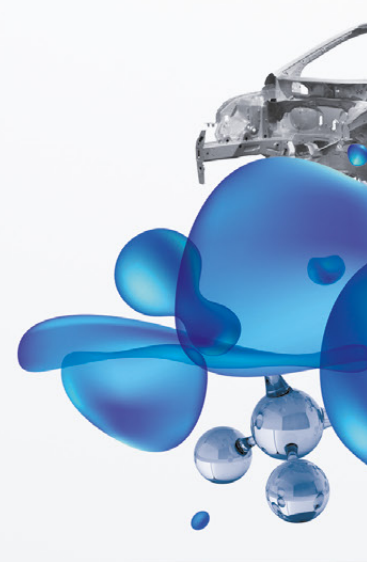
HDPE, seals and dyes comply with the highest cleanliness and safety standards

Comprehensive risk prevention measures in production with in-depth FMEA analyses – based on FSSC 22000

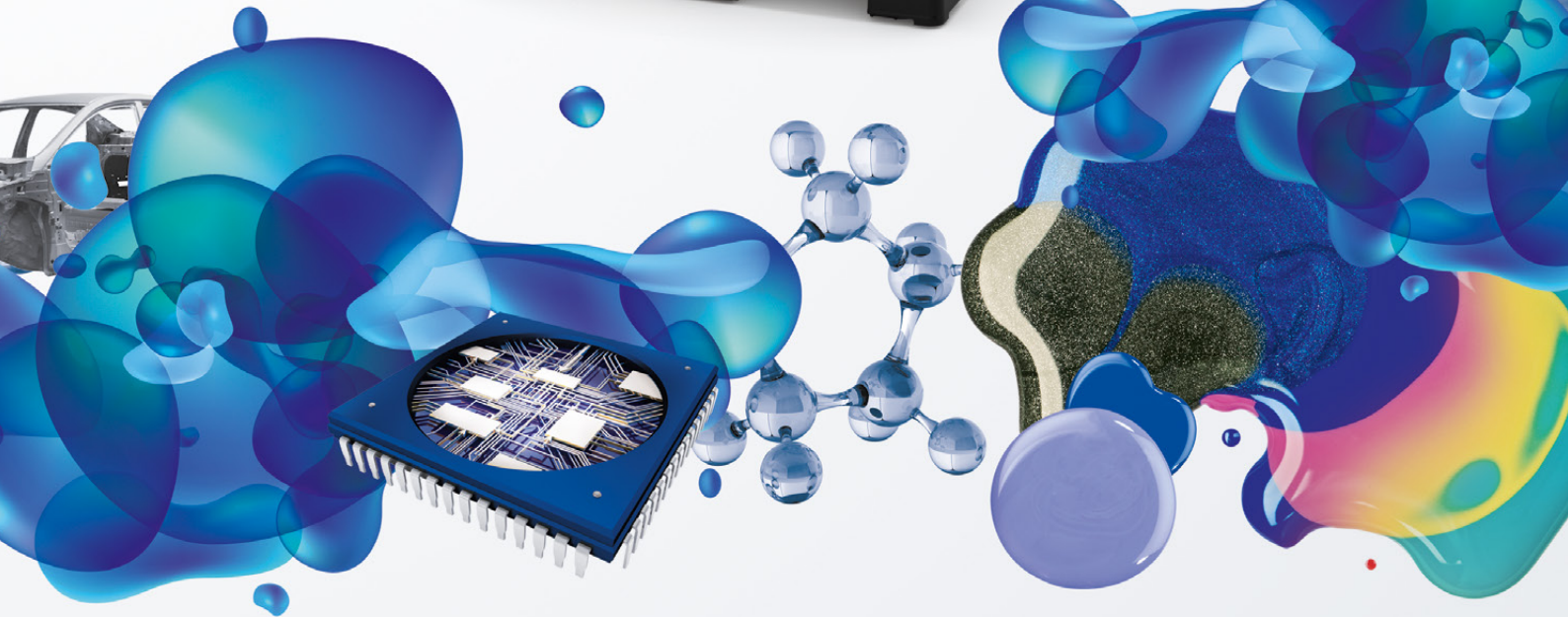
All parts that come into contact with the product and all production processes are **completely free of silicone and other surface-active substances**

CLEANCERT offers the **highest standard of technical cleanliness and safety** in products and processes

RISK



Based on FSSC 22000, currently the highest purity and safety standard, and using detailed FMEA analyses, we ensure that contamination risks are eliminated as far as possible along the entire production process for our CLEANCERT packaging. Thanks to the introduction of new management systems and the implementation of extensive preventive measures we are setting new standards in technical cleanliness and safety with our SCHÜTZ CLEANCERT range – to protect the original quality of your filling products.



Every time the packaging is opened, unwanted substances and particles can get inside.

Stirring and mixing processes are particularly prone to risks as the stirrers are often used multiple times for different filling products. Remains of cleaning agents or hidden residues can easily lead to severe contamination.



with blade agitator



PACKAGING
PRODUCTION



PACKAGING
DELIVERY

Safe and efficient stirring – without having to open the container.

Extend the protection of your filling goods right up to process level!

With the SCHÜTZ IMPELLER you eliminate contamination risks during application and increase process safety and user friendliness:

- We supply the ECOBULK HX with a one-way stirrer.
- Depending on the process and container configuration the container can be filled without removing the IMPELLER.
- After filling the ECOBULK remains closed throughout the entire supply chain right until the filling product is discharged – including during stirring processes.
- There is no risk of contamination caused by product residues on multiple-use stirrers, hence eliminating the need for time-consuming cleaning and controls.
- Existing agitator drives can be easily and quickly attached to the SCHÜTZ IMPELLER.
- Highest level of health protection: all contact with hazardous filling products (e.g. conversion coatings) is completely avoided, including the stirring process.
- After emptying the whole container is collected by SCHÜTZ, and the IMPELLER is 100 % recycled for materials.



Eliminating the risk of contamination

With the SCHÜTZ IMPELLER the ECOBULK can remain closed throughout the entire supply chain right through to emptying!

> FILLING > TRANSPORT > STORAGE > MIXING AND STIRRING PROCESSES > DISCHARGING FILLING PRODUCT

Do you have further questions about the SCHÜTZ ECOBULK HX?

We will be happy to help: +49 2626 77 0

SCHÜTZ GmbH & Co. KGaA
Schützstraße 12 · D-56242 Selters · Phone +49 2626 77 0
info1@schuetz.net · www.schuetz.net

