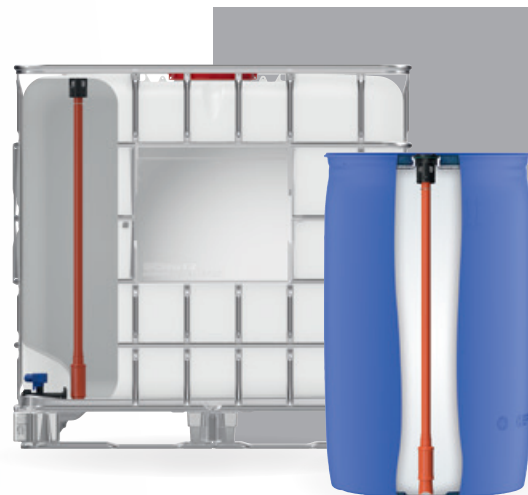




SCHÜTZ DIPTUBE
DRY-BREAK VALVE AND
DIPTUBE MECHANISM



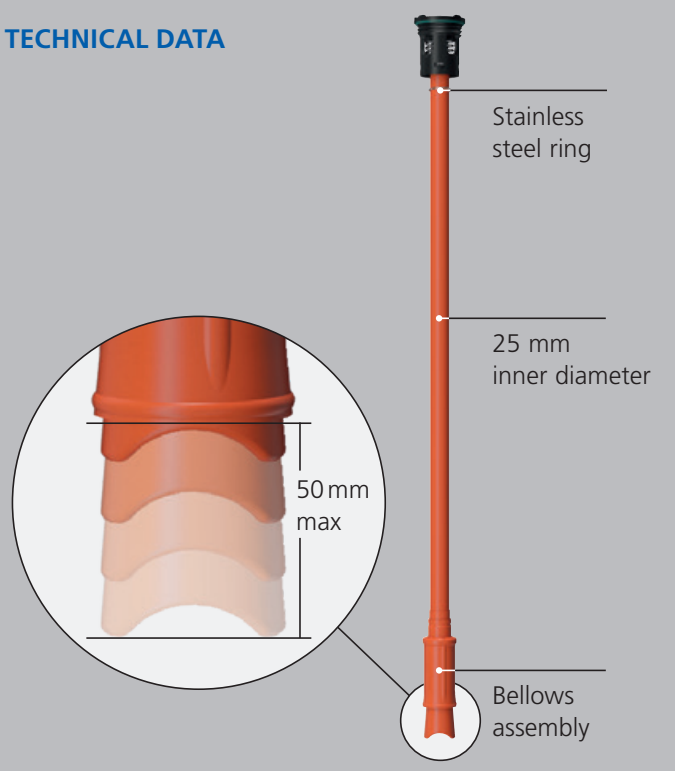
SCHÜTZ DIPTUBE MECHANISM

The innovative SCHÜTZ DIPTUBE MECHANISM assembly has a tolerance of ± 25 mm at the end of a DIPTUBE, thus ensuring maximum extraction of liquids from drums and IBCs. Once installed, the system also acts as a shock absorber between the base of the packaging and valve assembly preventing potential valve failures when handling containers.

KEY FEATURES

- Cross linked polyethylene
- Ensures maximum liquid extraction
- Stainless steel fastener ring to valve prevents suction of air
- 25 mm inner diameter DIPTUBE
- Innovative bellows assembly

TECHNICAL DATA



	Overall length (mm)	Suitable for
DRUM	775	120 Litres G2
	855	220 Litres F1 & 100 Litres SQ2
	935	110 Litres SQ2
IBC	550	MX 560
	795	MX 820 / MX 640
	900	MX 1000 (DN 400)
	940	SX-D 1000
	960	MX 1000 / HV 1000
	960	MX 1000 / HV 1000 / SX 1000 (EX)
	1169	MX 1250 / HX 1000

The SCHÜTZ DIPTUBE can be ordered in various standard lengths, however custom length requirements can be met upon request.

Our innovative SCHÜTZ DIPTUBE MECHANISM coupled with the SCHÜTZ DRY-BREAK VALVE provides a reliable, cost effective solution to all your liquid extraction needs.



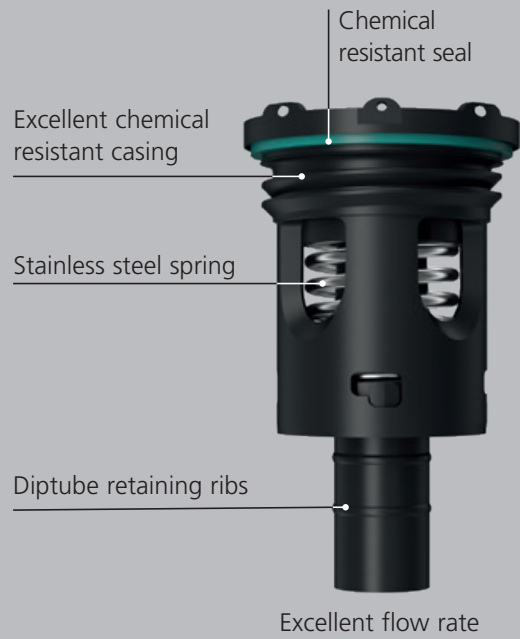
SCHÜTZ DRY-BREAK VALVE

Our SCHÜTZ DRY-BREAK VALVE is the result of years of R&D in order to create a valve that is durable, cost effective and directly compatible to the most common dry break systems currently used by the Agricultural Chemical Industry. Constructed from durable chemical resistant materials and subjected to vigorous testing procedures the SCHÜTZ DRY-BREAK VALVE is the perfect companion to the SCHÜTZ DIPTUBE.

KEY FEATURES

- Glass fiber reinforced polypropylene
- EPDM, FKM, PE seals
- Stainless steel compression spring

TECHNICAL DATA



Thread Type	Interface
G2x5	3 pin bayonet
G2 BSP	3 pin bayonet
S56x4	3 pin bayonet

We would be very happy to provide further information about the SCHÜTZ DIPTUBE SYSTEM.
Contact us on +49 2626 77 0. We look forward to your call!

Schütz GmbH & Co. KGaA · Schützstraße 12 · D-56242 Selters
Phone +49 2626 77 0 · info1@schuetz.net · www.schuetz.net

